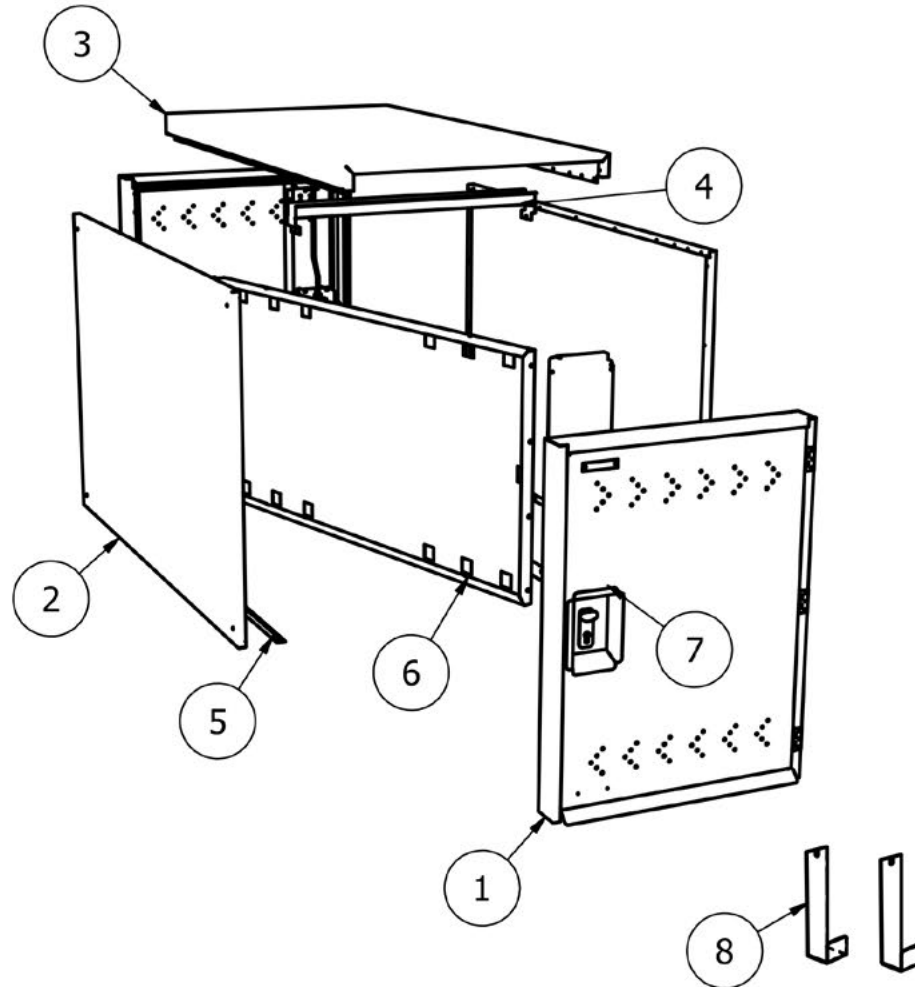


Instructions: Assembling a Double Ended Bike Locker

ITEM NO	PART DESCRIPTION	QTY
1	43801 RH DOOR FRAME ASSY 1200*900mm	2
1.1	43802 LH DOOR FRAME ASSY 1200*900mm	2
2	42172 SIDE PNL 1800*1125	2
3	46846 TOP PNL 1800*900	1
4	42397 TOP STIFFENER 870*100	1
5	42655 FIXING CHANNEL 1740*42	2
6	047381 PARTITON PANEL 1750*850	1
7	046849 PARTITON END PANELS 850*175	2
8	35190 UNIVERSAL HOOK	2
9		
10		

ONE PART ONLY DEPENDS ON HANDING OF UNIT. (RH PART SHOWN)



PLEASE NOTE FOR SAFETY REASONS THE ASSEMBLY OF THIS UNIT **REQUIRES TWO PEOPLE.**

BASE INSTRUCTIONS

A FIRM, LEVEL, FLAT SURFACE IS REQUIRED AS A BASE FOR THIS UNIT SUCH AS CONCRETE OR FLAGS.

- **MINIMUM BASE MEASUREMENT FOR BIKSTORE IS 1000W*2000L**

TOOLS REQUIRED

- POSI-DRIV SCREWDRIVER (POWER DRIVER RECOMMENDED)
- 4mm ALLEN KEY
- 10mm SPANNER

- 6mm DIA MASONRY DRILL
- 13mm SOCKET SPANNER (FOR ANCHOR FIXINGS)

DOOR ALIGNMENT & ANCHORING OF UNIT

IT IS IMPORTANT TO CORRECTLY LEVEL THE UNIT USING THE PACKING PIECES PROVIDED, ONCE ASSEMBLY IN ACCORDANCE WITH THE INSTRUCTIONS OVERLEAF IS COMPLETE AND PRIOR TO FIXING THE UNIT TO THE GROUND.

- SLIDE THE PACKING PIECES UNDER THE CORNERS OF THE UNIT AS REQUIRED UNTIL AN EQUAL GAP HAS BEEN ACHIEVED AROUND THE DOOR ALLOWING FOR SMOOTH OPERATION & ALLIGNMENT.

- DRILL THROUGH THE EIGHT HOLES IN THE BASE OF THE UNIT USING 6mm DIA MASONRY DRILL TO A DEPTH OF 70mm.
- SCREW IN THE ANCHOR FIXINGS. (THESE HAVE A SELF CUTTING THREAD)

FIXING PACK	ZSCREW100 No10*5/8 S/TAPP	ZSCREW254 M6*6 PAN HEAD	ZHWNU42 M6 HEX LOCK NUT	ZSCREW32 M7.5*60 ANCHOR BOLT	ZCOMPPLAS22,23,24 2mm,3mm,5mm PACKERS	ZCOMPPLAS02 SELF SEAL PLUG	SEALANT	ASSEMBLY INSTRUCTIONS
QTY	58	12	4	6	4 + 4 + 4	8	1	1
ASGSPNLBAG###								DRG No 047380

Instructions: Assembling a Double Ended Bike Locker

<p>STEP 1</p>	<p>STEP 2</p>	<p>STEP 3</p> <p>BB (0.1 : 1)</p> <p>HOOK OVER AND SCREW CHANNELS TO SIDE PANELS</p>	<p>STEP 4</p>																												
<table border="1"> <thead> <tr> <th>PARTS</th> <th>INSTRUCTION</th> </tr> </thead> <tbody> <tr> <td>DOOR AND FRAME SIDE PANEL 1 & 2</td> <td>POSITION FRAME 1 APPROXIMATELY IN ITS REQUIRED POSITION, OFFER UP SIDE PANEL 2 ENSURING HOLES ARE ALIGNED SCREW THE PANELS TOGETHER. USING ONLY TOP AND BOTTOM HOLES AT THIS STAGE</td> </tr> <tr> <td>2*</td> <td></td> </tr> </tbody> </table>	PARTS	INSTRUCTION	DOOR AND FRAME SIDE PANEL 1 & 2	POSITION FRAME 1 APPROXIMATELY IN ITS REQUIRED POSITION, OFFER UP SIDE PANEL 2 ENSURING HOLES ARE ALIGNED SCREW THE PANELS TOGETHER. USING ONLY TOP AND BOTTOM HOLES AT THIS STAGE	2*		<table border="1"> <thead> <tr> <th>PARTS</th> <th>INSTRUCTION</th> </tr> </thead> <tbody> <tr> <td>DOOR AND FRAME 1</td> <td>REPEAT STEP 1 AT THE OTHER END AGAIN ONLY FITTING TOP AND BOTTOM SCREWS</td> </tr> <tr> <td>2*</td> <td></td> </tr> </tbody> </table>	PARTS	INSTRUCTION	DOOR AND FRAME 1	REPEAT STEP 1 AT THE OTHER END AGAIN ONLY FITTING TOP AND BOTTOM SCREWS	2*		<table border="1"> <thead> <tr> <th>PARTS</th> <th>INSTRUCTION</th> </tr> </thead> <tbody> <tr> <td>SIDE PANEL 2 AND FIXING DOWN CHANNELS 5 2off</td> <td>OFFER 2ND SIDE PANEL 2 ENSURING HOLES ARE ALIGNED SCREW THE PANELS TOGETHER. AGAIN WITH ONLY TOP AND BOTTOM SCREWS</td> </tr> <tr> <td>18*</td> <td>ALSO FIT FIXING CHANNELS AT THIS STAGE TO BOTTOM OF SIDE PANELS</td> </tr> </tbody> </table>	PARTS	INSTRUCTION	SIDE PANEL 2 AND FIXING DOWN CHANNELS 5 2off	OFFER 2ND SIDE PANEL 2 ENSURING HOLES ARE ALIGNED SCREW THE PANELS TOGETHER. AGAIN WITH ONLY TOP AND BOTTOM SCREWS	18*	ALSO FIT FIXING CHANNELS AT THIS STAGE TO BOTTOM OF SIDE PANELS	<table border="1"> <thead> <tr> <th>PARTS</th> <th>INSTRUCTION</th> </tr> </thead> <tbody> <tr> <td>SEALANT</td> <td>PRIOR TO FITTING THE ROOF PANEL APPLY A CONTINUOUS BEAD OF SEALANT ALONG THE SIDES AND OVER THE DOOR FRAMES AND ALONG THE DOOR FRAME JOINTS.</td> </tr> <tr> <td>10*</td> <td></td> </tr> </tbody> </table>	PARTS	INSTRUCTION	SEALANT	PRIOR TO FITTING THE ROOF PANEL APPLY A CONTINUOUS BEAD OF SEALANT ALONG THE SIDES AND OVER THE DOOR FRAMES AND ALONG THE DOOR FRAME JOINTS.	10*					
PARTS	INSTRUCTION																														
DOOR AND FRAME SIDE PANEL 1 & 2	POSITION FRAME 1 APPROXIMATELY IN ITS REQUIRED POSITION, OFFER UP SIDE PANEL 2 ENSURING HOLES ARE ALIGNED SCREW THE PANELS TOGETHER. USING ONLY TOP AND BOTTOM HOLES AT THIS STAGE																														
2*																															
PARTS	INSTRUCTION																														
DOOR AND FRAME 1	REPEAT STEP 1 AT THE OTHER END AGAIN ONLY FITTING TOP AND BOTTOM SCREWS																														
2*																															
PARTS	INSTRUCTION																														
SIDE PANEL 2 AND FIXING DOWN CHANNELS 5 2off	OFFER 2ND SIDE PANEL 2 ENSURING HOLES ARE ALIGNED SCREW THE PANELS TOGETHER. AGAIN WITH ONLY TOP AND BOTTOM SCREWS																														
18*	ALSO FIT FIXING CHANNELS AT THIS STAGE TO BOTTOM OF SIDE PANELS																														
PARTS	INSTRUCTION																														
SEALANT	PRIOR TO FITTING THE ROOF PANEL APPLY A CONTINUOUS BEAD OF SEALANT ALONG THE SIDES AND OVER THE DOOR FRAMES AND ALONG THE DOOR FRAME JOINTS.																														
10*																															
<p>STEP 5</p>	<p>STEP 6</p> <p>FIT PUSH FIT PLUGS</p> <p>CC</p> <p>DRILL AND FIT BOLTS</p> <p>DD</p> <p>TOP AND SIDE SHOWN REMOVED FOR CLARITY ONLY</p>	<p>STEP 7</p> <p>TOP AND SIDE SHOWN REMOVED FOR CLARITY ONLY</p>	<p>STEP 8</p> <p>FIT HOOKS TO JOINT ON LID AND SIDE PANEL 1 PER END</p> <p>TOP AND SIDE SHOWN REMOVED FOR CLARITY ONLY</p>																												
<table border="1"> <thead> <tr> <th>PARTS</th> <th>INSTRUCTION</th> </tr> </thead> <tbody> <tr> <td>46846 TOP 3 42397 TOP STIFFENER 4</td> <td>POSITION TOP PANEL 4 IN PLACE ONTO ASSEMBLED SIDES AND FRAMES FROM INSIDE FIT STIFFENER 5 INTO CENTER OF TOP AND FIX WITH SCREWS LEAVING OUT THE 2ND AND 3RD SCREWS FROM EACH END</td> </tr> <tr> <td>24*</td> <td>REMOVE ANY EXCESS SEALANT ALONG THE JOINT ENSURING THE SEAL IS COMPLETE.</td> </tr> </tbody> </table>	PARTS	INSTRUCTION	46846 TOP 3 42397 TOP STIFFENER 4	POSITION TOP PANEL 4 IN PLACE ONTO ASSEMBLED SIDES AND FRAMES FROM INSIDE FIT STIFFENER 5 INTO CENTER OF TOP AND FIX WITH SCREWS LEAVING OUT THE 2ND AND 3RD SCREWS FROM EACH END	24*	REMOVE ANY EXCESS SEALANT ALONG THE JOINT ENSURING THE SEAL IS COMPLETE.	<table border="1"> <thead> <tr> <th>PARTS</th> <th>INSTRUCTION</th> </tr> </thead> <tbody> <tr> <td>6*</td> <td>FIT 8 PLUGS INTO HOLES ON OUT SIDE OF END PANELS (HOLES CAN BE USED TO FIX 2 UNITS SIDE BY SIDE)</td> </tr> <tr> <td>8*</td> <td>LEVEL UNIT USING PACKERS SUPPLIED FIX DOWN USING SELF CUTTING ANCHOR BOLTS 3 DOWN EACH SIDE 2 INTO GUIDE CHANNEL FOR THIS YOU WILL NEED TO USE A 6mm MASONRY DRILL DRILLING 70mm DEEP THROUGH HOLES IN THE RAILS</td> </tr> <tr> <td>6*</td> <td></td> </tr> </tbody> </table>	PARTS	INSTRUCTION	6*	FIT 8 PLUGS INTO HOLES ON OUT SIDE OF END PANELS (HOLES CAN BE USED TO FIX 2 UNITS SIDE BY SIDE)	8*	LEVEL UNIT USING PACKERS SUPPLIED FIX DOWN USING SELF CUTTING ANCHOR BOLTS 3 DOWN EACH SIDE 2 INTO GUIDE CHANNEL FOR THIS YOU WILL NEED TO USE A 6mm MASONRY DRILL DRILLING 70mm DEEP THROUGH HOLES IN THE RAILS	6*		<table border="1"> <thead> <tr> <th>PARTS</th> <th>INSTRUCTION</th> </tr> </thead> <tbody> <tr> <td>46849 7 PARTITION ENDS*2</td> <td>REMOVE BOTTOM SCREW ON HINGE SIDE OF FRAME POSITION PARTITION AGAINST FRAME FIX IN LOWER POSITION WITH 4 SCREWS IN OPPOSING CORNERS AS SHOWN</td> </tr> <tr> <td>8*</td> <td></td> </tr> </tbody> </table>	PARTS	INSTRUCTION	46849 7 PARTITION ENDS*2	REMOVE BOTTOM SCREW ON HINGE SIDE OF FRAME POSITION PARTITION AGAINST FRAME FIX IN LOWER POSITION WITH 4 SCREWS IN OPPOSING CORNERS AS SHOWN	8*		<table border="1"> <thead> <tr> <th>PARTS</th> <th>INSTRUCTION</th> </tr> </thead> <tbody> <tr> <td>47381 6 PARTITION*1 39150 8 UNI HOOK*2</td> <td>FIX THE PARTITION IN PLACE WITH 8 M6 HEX SCREWS AS SHOWN</td> </tr> <tr> <td>6*</td> <td>FIX HOOKS TO UNIT IN TOP LEFT HAND CORNERS</td> </tr> <tr> <td>2*</td> <td></td> </tr> </tbody> </table>	PARTS	INSTRUCTION	47381 6 PARTITION*1 39150 8 UNI HOOK*2	FIX THE PARTITION IN PLACE WITH 8 M6 HEX SCREWS AS SHOWN	6*	FIX HOOKS TO UNIT IN TOP LEFT HAND CORNERS	2*	
PARTS	INSTRUCTION																														
46846 TOP 3 42397 TOP STIFFENER 4	POSITION TOP PANEL 4 IN PLACE ONTO ASSEMBLED SIDES AND FRAMES FROM INSIDE FIT STIFFENER 5 INTO CENTER OF TOP AND FIX WITH SCREWS LEAVING OUT THE 2ND AND 3RD SCREWS FROM EACH END																														
24*	REMOVE ANY EXCESS SEALANT ALONG THE JOINT ENSURING THE SEAL IS COMPLETE.																														
PARTS	INSTRUCTION																														
6*	FIT 8 PLUGS INTO HOLES ON OUT SIDE OF END PANELS (HOLES CAN BE USED TO FIX 2 UNITS SIDE BY SIDE)																														
8*	LEVEL UNIT USING PACKERS SUPPLIED FIX DOWN USING SELF CUTTING ANCHOR BOLTS 3 DOWN EACH SIDE 2 INTO GUIDE CHANNEL FOR THIS YOU WILL NEED TO USE A 6mm MASONRY DRILL DRILLING 70mm DEEP THROUGH HOLES IN THE RAILS																														
6*																															
PARTS	INSTRUCTION																														
46849 7 PARTITION ENDS*2	REMOVE BOTTOM SCREW ON HINGE SIDE OF FRAME POSITION PARTITION AGAINST FRAME FIX IN LOWER POSITION WITH 4 SCREWS IN OPPOSING CORNERS AS SHOWN																														
8*																															
PARTS	INSTRUCTION																														
47381 6 PARTITION*1 39150 8 UNI HOOK*2	FIX THE PARTITION IN PLACE WITH 8 M6 HEX SCREWS AS SHOWN																														
6*	FIX HOOKS TO UNIT IN TOP LEFT HAND CORNERS																														
2*																															