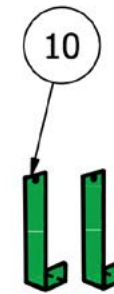
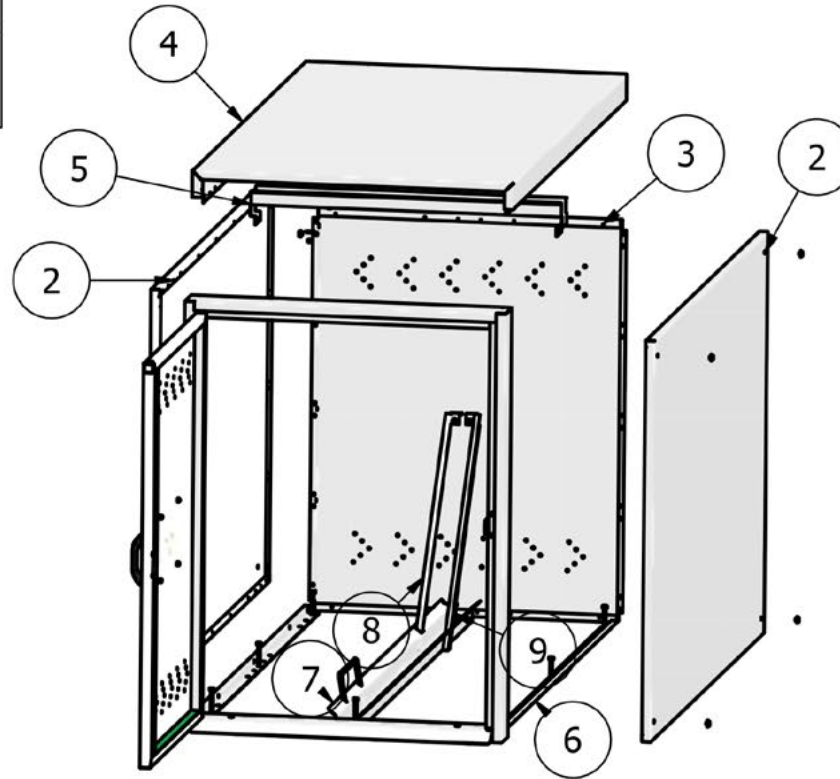


# Instructions: Assembling a Single Bike Locker

ITEM NO	PART DESCRIPTION	QTY
1.1	42486 LH DOOR FRAME ASSY 1200mm*900mm	
1.2	42485 RH DOOR FRAME ASSY 1200mm*900mm	
2	42172 SIDE PNL 1800*1125	2
3	42171 BACK PNL 1125*878	1
4	42170 TOP PNL 1800*900	1
5	42397 TOP STIFFENER 870*100	1
6	42655 FIXING CHANEL 1740*42	2
7	42472 WHEEL GUIDE 1800*120	1
8	42176 LH WHEEL GUIDE 750*20	1
9	42177 RH WHEEL GUIDE 750*20	1
10	35190 UNIVERSAL HOOK	2

**ONE PART ONLY DEPENDS ON HANDING OF UNIT (LH PART SHOWN)**



PLEASE NOTE FOR SAFETY REASONS THE ASSEMBLY OF THIS UNIT **REQUIRES TWO PEOPLE.**

**BASE INSTRUCTIONS**

A FIRM, LEVEL, FLAT SURFACE IS REQUIRED AS A BASE FOR THIS UNIT SUCH AS CONCRETE OR FLAGS.

- **MINIMUM BASE MEASUREMENT FOR BIKSTORE IS 1000W\*2000L**

**TOOLS REQUIRED**

- POST-DRIV SCREWDRIVER (POWER DRIVER RECOMMENDED)
- 4mm ALLEN KEY
- 10mm SPANNER
- 6mm DIA MASONRY DRILL
- 13mm SOCKET SPANNER (FOR ANCHOR FIXINGS)

**DOOR ALIGNMENT & ANCHORING OF UNIT**

IT IS IMPORTANT TO CORRECTLY LEVEL THE UNIT USING THE PACKING PIECES PROVIDED, ONCE ASSEMBLY IN ACCORDANCE WITH THE INSTRUCTIONS OVERLEAF IS COMPLETE AND PRIOR TO FIXING THE UNIT TO THE GROUND.

- SLIDE THE PACKING PIECES UNDER THE CORNERS OF THE UNIT AS REQUIRED UNTIL AN EQUAL GAP HAS BEEN ACHIEVED AROUND THE DOOR ALLOWING FOR SMOOTH OPERATION & ALIGNMENT.

- DRILL THROUGH THE EIGHT HOLES IN THE BASE OF THE UNIT USING 6mm DIA MASONRY DRILL TO A DEPTH OF 70mm.

- SCREW IN THE ANCHOR FIXINGS. (THESE HAVE A SELF CUTTING THREAD)

**FIXING PACK**

	ZSCREW100 No10*5/8 S/TAPP	ZSCREW254 M6*6 PAN HEAD	ZHWNUT42 M6 HEX LOCK NUT	ZSCREW32 M7.5*60 ANCHOR BOLT	ZCOMPPLAS22,23,24 2mm,3mm,5mm PACKERS	ZCOMPPLAS02 SELF SEAL PLUG	SEALENT
QTY	68	6	6	8	4 + 4 + 4	8	1

# Instructions: Assembling a Single Bike Locker

<b>STEP 1</b> 		<b>STEP 2</b> 		<b>STEP 3</b> 		<b>STEP 4</b> 	
<b>PARTS</b> DOOR AND FRAME SIDE PANEL 1 & 2  10*	<b>INSTRUCTION</b> POSITION FRAME 1 APPROXIMATELY IN ITS REQUIRED POSITION, OFFER UP SIDE PANEL 2 ENSURING HOLES ARE ALIGNED SCREW THE PANELS TOGETHER.	<b>PARTS</b> BACK PANEL 3  10*	<b>INSTRUCTION</b> OFFER UP BACK PANEL 3 ENSURING HOLES ARE ALIGNED SCREW THE PANELS TOGETHER.	<b>PARTS</b> SIDE PANEL 2  20*	<b>INSTRUCTION</b> OFFER 2ND SIDE PANEL 2 ENSURING HOLES ARE ALIGNED SCREW THE PANELS TOGETHER.	<b>PARTS</b> FIXING CHANNEL 6 2 off  10*	<b>INSTRUCTION</b> HOOK FIXING CHANNELS 6 OVER THE BOTTOM BEND OF SIDE PANEL AS SHOWN IN DETAIL *A* FIX IN PLACE WITH SCREWS  PRIOR TO FITTING ROOF PANEL APPLY A CONTINUOUS BEAD OF SEALANT ALONG THE SIDES, BACK AND OVER THE DOOR FRAME ALONG THE ROOF JOINT.
<b>STEP 5</b> 		<b>STEP 6</b> 		<b>STEP 7</b> 		<b>STEP 8</b> 	
<b>PARTS</b> 42170 TOP 4 42397 TOP STIFFENER 5  24*	<b>INSTRUCTION</b> POSITION TOP PANEL 4 INTO PLACE ( SHORT SIDE TO FRONT) ONTO ASSEMBLED SIDES AND BACK FROM INSIDE FIT STIFFENER 5 INTO CENTER OF TOP AND FIX WITH SCREWS LEAVING OUT THE 2ND AND 3RD SCREWS FROM THE FRONT  REMOVE ANY EXCESS SEALANT ALONG THE JOINT ENSURING THAT THE SEAL IS COMPLETE.	<b>PARTS</b> WHEEL GUIDE 7 UNI HOOK 10 2off  2*	<b>INSTRUCTION</b> CLIP WHEEL GUIDE 4 INTO POSITION DOOR END FIRST( INTO RAIL) THEN INTO SLOTS ON BACK PANEL  SCREW HOOKS 10 INTO REQUIRED POSITIONS	<b>PARTS</b> LH & RH 8 & 9 WHEEL GUIDES  2*	<b>INSTRUCTION</b> SLOT LH & RH WHEEL 8&9 GUIDES INTO CENTER GUIDE BOLT INTO POSITION BOLT ON OUTSIDE NUTS ON IN SIDE	<b>PARTS</b> 8 PLUGS  2*	<b>INSTRUCTION</b> FIT 8 PLUGS INTO HOLES ON OUT SIDE OF END PANELS (HOLES CAN BE USED TO FIX 2 UNITS SIDE BY SIDE)  LEVEL UNIT USING PACKERS SUPPLIED FIX DOWN USING SELF CUTTING ANCHOR BOLTS 3 DOWN EACH SIDE 2 INTO GUIDE CHANNEL FOR THIS YOU WILL NEED TO USE A 6mm MASONRY DRILL DRILLING 70mm DEEP TROUGH HOLES IN THE RAILS