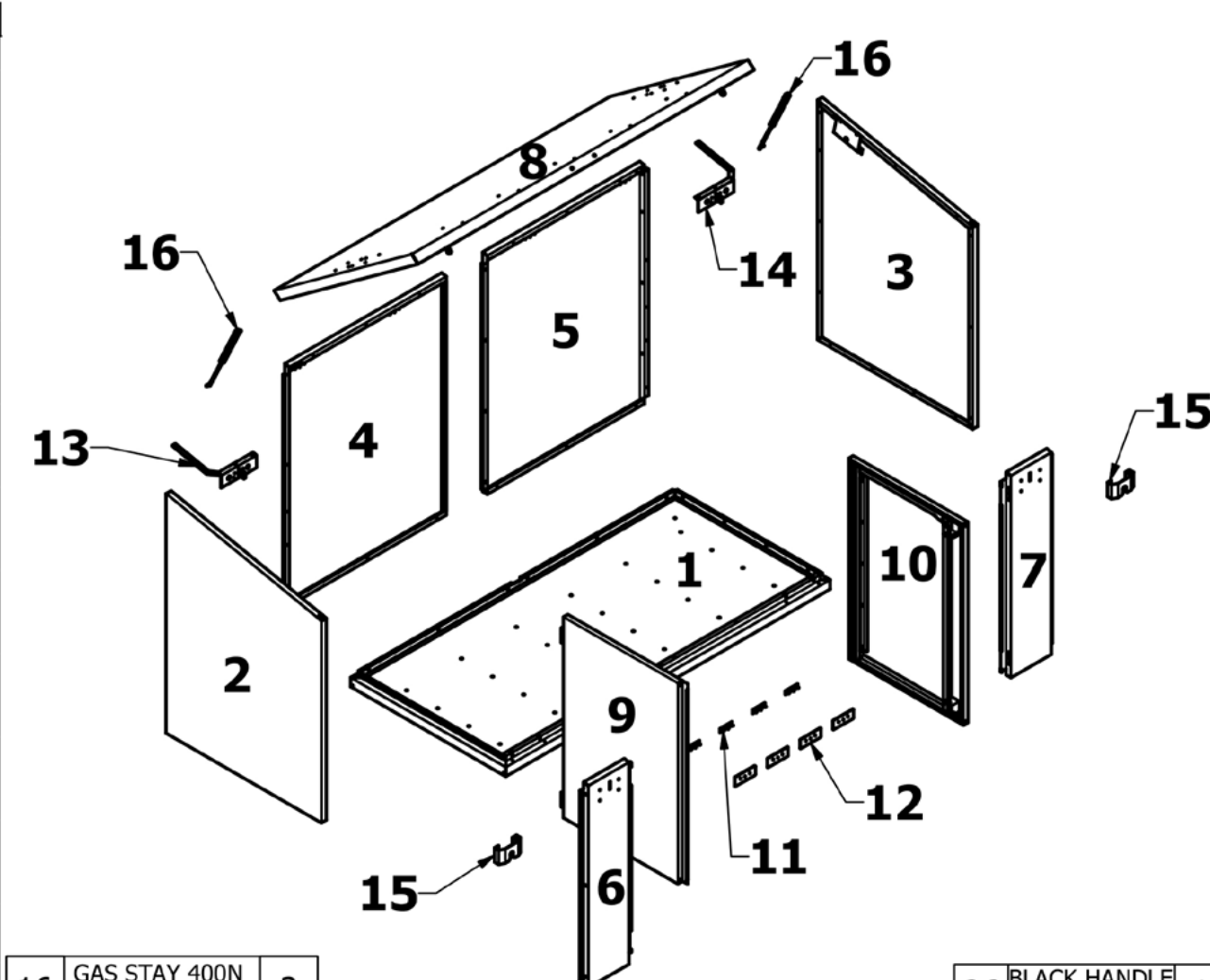


# Instructions: Assembling a Garden Bike Locker

ITEM NO	PART DESCRIPTION	QTY
1	40966 BASE PANEL 1984*950	1
2	41329 LH SIDE PAN 1269*950	1
3	41331 RH SIDE PAN 1269*950	1
4	41341 LH BACK PNL 1269*961	1
5	41342 RH BACK PNL 1269*961	1
6	41452 LH FRT PANEL 1075*250	1
7	41453 RH FRT PANEL 1075*250	1
8	40961 LID S/A 2056*1016	1
9	41348 LH DOOR SA 1064*702	1
10	41350 RH DOOR SA 1064*702	1
11	41457 HINGE FIX PLT	4
12	41459 HINGE SUPP PLT	4
13	41843 LH CORN BRACE	1
14	41844 RH CORN BRACE	1
15	41824 LOCK SHROUD	2



16	GAS STAY 400N ZHWMISC89	2
17	M8 BALL STUD ZSCREW42	4
18	SELF TAPPER ZSCREW100	60
19	M5x12 CSK ZSCREW340	12

20	M5x12 PAN ZSCREW43	10
21	M7.5x60 BOLT ZSCREW32	4
22	M5 LOCKNUT ZHWNUT41	12

23	5mm SHIM ZCOMPPLAS24	4
24	3mm SHIM ZCOMPPLAS23	4
25	2mm SHIM ZCOMPPLAS22	4

26	BLACK HANDLE ZHWHANDLE32	1
27	S/SEAL PLUG ZCOMPPLAS02	4
28	PLASTIC BAG ZBAGS08	2
29	INSTRUCTIONS Z41467	1

PLEASE NOTE FOR SAFETY REASONS THE ASSEMBLY OF THIS UNIT **REQUIRES TWO PEOPLE.**

**BASE INSTRUCTIONS**

A FIRM, LEVEL, FLAT SURFACE IS REQUIRED AS A BASE FOR THIS UNIT SUCH AS CONCRETE OR FLAGS.

- **MINIMUM BASE MEASUREMENT FOR ACCESS IS 2200\*1150**

- **MINIMUM DISTANCE FROM WALL IS 100**

**TOOLS REQUIRED**

- POSI-DRIV SCREWDRIVER (POWER DRIVER RECOMMENDED)
- 6mm DIA MASONRY DRILL
- 13mm SOCKET SPANNER (FOR ANCHOR FIXINGS)

**DOOR ALIGNMENT & ANCHORING OF UNIT**

IT IS IMPORTANT TO CORRECTLY LEVEL THE UNIT USING THE PACKING PIECES PROVIDED, ONCE ASSEMBLY IN ACCORDANCE WITH THE INSTRUCTIONS OVERLEAF IS COMPLETE AND PRIOR TO FIXING THE UNIT TO THE GROUND.

- SLIDE THE PACKING PIECES UNDER THE CORNERS OF THE UNITS BASE AS REQUIRED UNTIL AN EQUAL GAP HAS BEEN ACHIEVED AROUND THE DOOR ALLOWING FOR ITS SMOOTH OPERATION & ALIGNMENT.

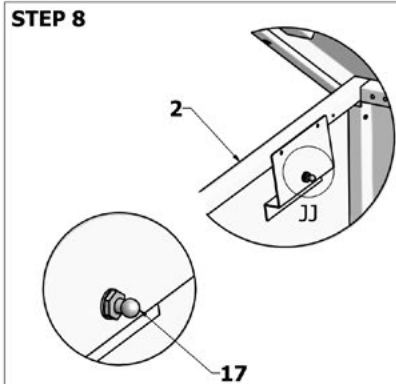
- DRILL THROUGH THE FOUR HOLES IN THE BASE OF THE UNIT USING 6mm DIA MASONRY DRILL TO A DEPTH OF 70mm.
- SCREW IN THE ANCHOR FIXINGS. (THESE HAVE A SELF CUTTING THREAD)

**IF NOT ANCHORING THE UNIT USE THE SELF SEAL PLUGS TO BLOCK THE FIXING HOLES (FIT FROM UNDERSIDE)**

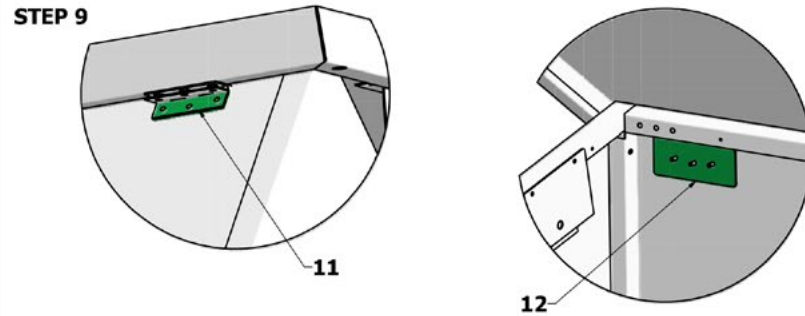
# Instructions: Assembling a Garden Bike Locker

<b>STEP 1</b> 		<b>STEP 2</b> 		<b>STEP 3</b> 		<b>STEP 4</b> 	
<b>PARTS</b> RH BACK - 5 BASE - 1 <b>ITEM 18</b> 3*	<b>INSTRUCTION</b> POSITION RH BACK '5' UP TO BASE PANEL '1' ENSURING HOLES ARE ALIGNED AND THAT THE BACK CENTRAL FOLD IS POSITIONED IN THE CUTOUT SLOT IN THE BASE.  THIS PANEL REQUIRES SUPPORT WHILST SCREWING PANELS TOGETHER.	<b>PARTS</b> LH BACK - 4 <b>ITEM 18</b> 10*	<b>INSTRUCTION</b> POSITION THE LH BACK '4' UP TO THE PRE ASSEMBLED BACK AND BASE ENSURING ALL HOLES ARE ALIGNED, SCREW TOGETHER.  NOTE A SCREW IS ONLY REQUIRED IN ALL THE OBOUNDED HOLES. THE 4 ROUND HOLES IN EACH OF THE LH & RH BACKS ARE FOR SHELF BRACKETS WHICH ARE PURCHASED SEPERATLY.  BOTH PANELS REQUIRES SUPPORT WHILST SCREWING PANELS TOGETHER.	<b>PARTS</b> LH SIDE - 2 RH SIDE - 3 <b>ITEM 18</b> 16*	<b>INSTRUCTION</b> LOCATE LH SIDE PANEL '2' TO THE BASE AND LH BACK AS SHOWN ENSURING THAT HOLES ARE ALIGNED.  LOCATE RH SIDE PANEL '3' TO THE BASE AND RH BACK AS SHOWN ENSURING THAT HOLES ARE ALIGNED.  SCREW TOGETHER ALONG THE BASE AND VERTICAL JOINT.	<b>PARTS</b> LH FRONT - 6 RH FRONT - 7 <b>ITEM 18</b> 14*	<b>INSTRUCTION</b> LOCATE LH FRONT PANEL '6' TO THE BASE AND LH SIDE AS SHOWN ENSURING THAT HOLES ARE ALIGNED. LOCATE RH FRONT PANEL '7' TO THE BASE AND RH SIDE AS SHOWN ENSURING THAT HOLES ARE ALIGNED. SCREW TOGETHER ALONG THE BASE & AND VERTICAL JOINT. VERY IMPORTANT YOU MUST PUT THE SCREWS IN THROUGH THE CLEARANCE HOLES IN THE BASE ALL 14 SCREWS MUST BE USED
<b>STEP 5</b> 		<b>STEP 6</b> 		<b>STEP 7</b> 			
<b>PARTS</b> CORN BRACE LH - 13 RH - 14 <b>ITEM 18</b> 12*	<b>INSTRUCTION</b> LOCATE CORNER BRACE '14' TO THE UNDERSIDE OF RH SIDE PANEL '3' & RH FRONT PANEL '7'  LOCATE CORNER BRACE '13' TO THE UNDERSIDE OF LH SIDE PANEL '2' & LH FRONT PANEL '6'  SCREW CORNER BRACE TO PANELS FROM UNDERSIDE	<b>PARTS</b> LH DOOR - 9 RH DOOR - 10 <b>ITEM 19</b> 12*	<b>INSTRUCTION</b> WE RECOMMEND THAT YOU USE HAND HELD DRIVERS RATHER THAN POWER DRIVERS WHEN FIXING THE DOORS.  IT IS IMPORTANT TO SUPPORT THE DOOR AT ALL TIMES WHEN FITTING THE SCREWS TO ENSURE CORRECT ALIGNMENT AND SO NOT TO DAMAGE THE THREADED INSERTS.	<b>PARTS</b> LID - 8 <b>ITEM 17</b> 2*	<b>INSTRUCTION</b> FIT M8 BALL STUD PART No17 TO LID AT BOTH SIDES		

# Instructions: Assembling a Garden Bike Locker

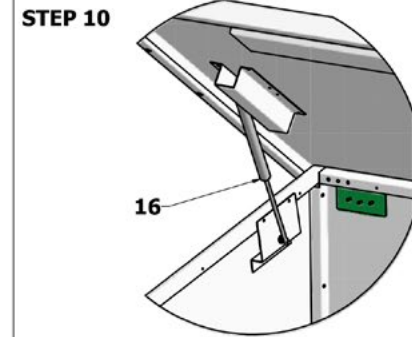


PARTS	INSTRUCTION
LH SIDE - 2 RH SIDE - 3	FIT M8 BALL STUD PART No17 TO LH SIDE PANEL PART No2 & RH SIDE PANEL PART No3
<b>ITEM 17</b> 2*	



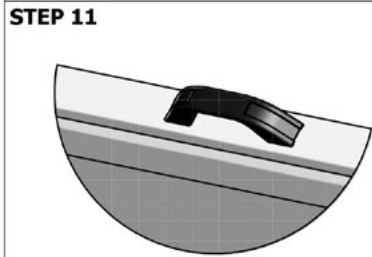
**VERY IMPORTANT THIS IS A 2 PERSON OPERATION  
LIFT LID ONTO THE TOP OF THE UNIT**

PARTS	INSTRUCTION
HINGE FIX PLATE - 11	<b>4-OFF</b> 1 PERS OUTSIDE WITH HINGE FIX PLATE 11 1 PERS INSIDE WITH HINGE SUPP PLATE 12 PUSH PLATES TOGETHER TRAPPING HINGE BETWEEN BACK PANEL & FIXING PLATES & FIX WITH M5 NYLOCK NUT
<b>ITEM 22</b> 12*	

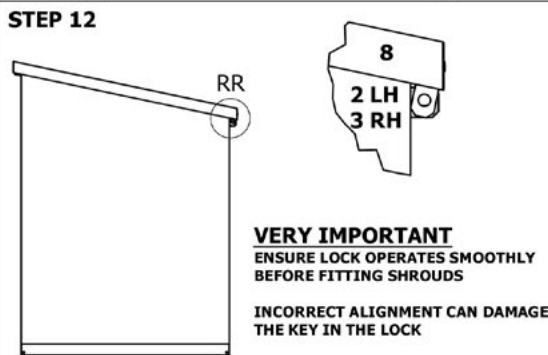


**THIS IS A 2 PERSON OPERATION**

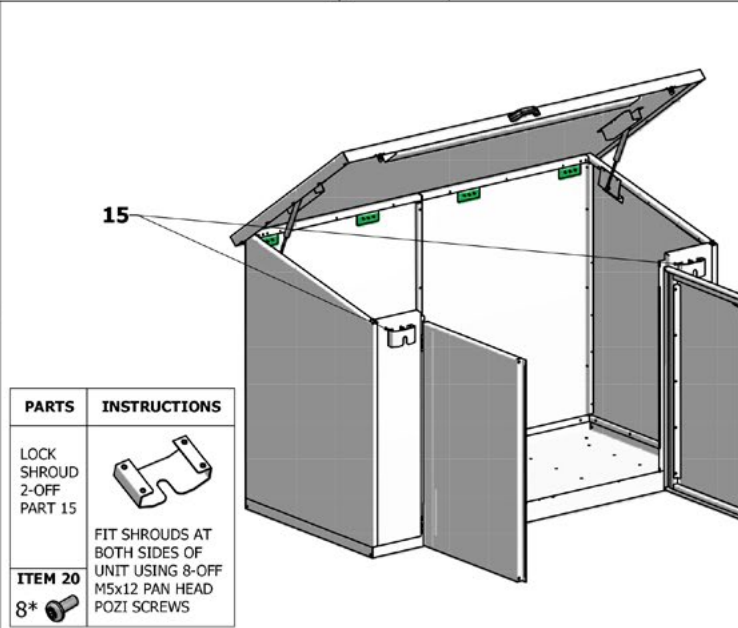
PARTS	INSTRUCTION
GAS STAY 400N - 16	GAS STAY MUST BE FITTED WITH THE SMALL Ø ROD POINTING DOWNWARDS AND FIXED TO THE SIDE PANEL & THE THICK Ø ROD POINTING UPWARDS AND FIXED TO THE TOP PANEL
<b>ITEM 16</b> 2*	THE GAS STAY CLIPS INTO M8 BALL STUD ITEM 17



PARTS	INSTRUCTION
HANDLE - 26	 CLIP WINGS BACK ON HANDLE POSITION TO LID INLINE WITH NUTSERTS & SCREW TOGETHER USING 2-OFF M5x12 PAN HEAD ITEM 20
<b>ITEM 20</b> 2*	



PARTS	INSTRUCTIONS
LH SIDE - 2 RH SIDE - 3 LID - 8	<b>VERY IMPORTANT</b> TO ENSURE SMOOTH OPERATION OF PADLOCK IT IS CRITICAL THAT THE LOCK LOCATION HOLES ARE CORRECTLY ALIGNED. THIS IS ACHIEVED THROUGH PRECISE LEVELLING OF THE UNIT USING PLASTIC PACKING PIECES PROVIDED. CHECK BOTH PADLOCKS WORK CORRECTLY BEFORE UNIT IS SECURED TO FLOOR & SHROUDS ARE FITTED.



PARTS	INSTRUCTIONS
LOCK SHROUD 2-OFF PART 15	 FIT SHROUDS AT BOTH SIDES OF UNIT USING 8-OFF M5x12 PAN HEAD POZI SCREWS
<b>ITEM 20</b> 8*	